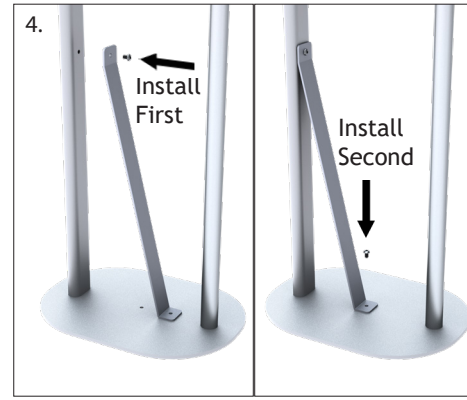
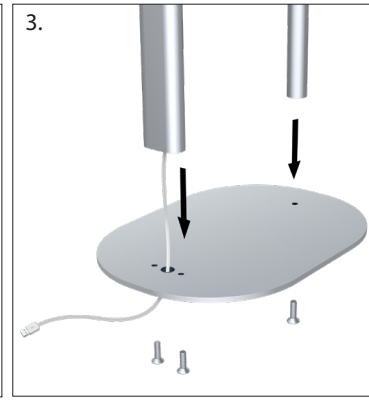
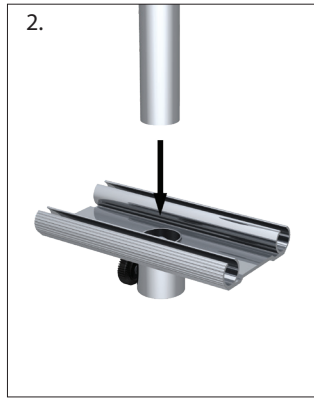


# Hybrid Pro Tablet Frame Stand™ - IPHB2

1. Mount top dowel holder to telescopic tube using knob provided.
2. Slide bottom of telescopic pole through bottom dowel holder and tighten knob at desired mounting position.
3. Align tablet upright over base. Feed tablet cord through center hole and screw into place using two (2) Allen head screws. When inserting screws, tighten BOTH by hand first. Then, fully tighten using an Allen key. Align telescopic pole over base and screw into place using the Phillips head screw provided.
4. Attach the strap to the tablet upright, then attach the opposite end to the base, using the screws provided.
5. Attach the Tablet casing to the upright as shown below using the bolt and washers provided. Use the magnetic tightening tool provided to tighten the bolt.
6. Remove acrylic cover using small tamper-proof key provided. Place tablet inside and reassemble unit. If ball joint loosens on back, use the large tamper-proof key to retighten it securely.
7. Slide banner pole pockets over dowels.
8. Insert top dowel into top dowel holder.
9. Insert bottom dowel into bottom dowel holder.



IPHB2 shown

